



ANTENNEN | ANTENNAS

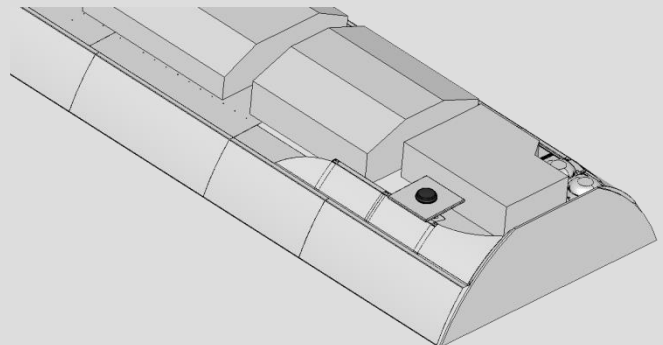
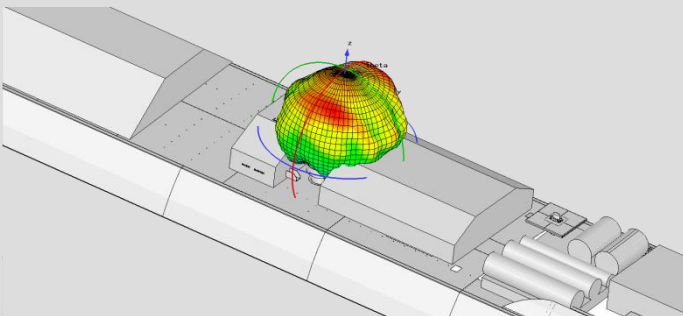
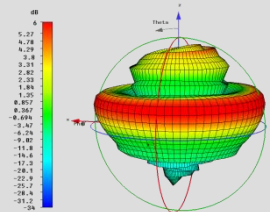


# Antenna consulting and RF-simulation

Antonics-ICP offers its clients the technical and technological support and consulting in the particular projects and often solves very specific problems and questions out.

Those questions begin with solutions to comply with the clearance height and continue up to extremely sophisticated RF simulations of the antenna radiation pattern on the vehicle roof with surrounding structures.

- Do I need a ground plane?
- What size of ground plane should I use?
- What is the optimal antenna placement on the vehicle roof?
- What is the optimal spacing between two antennas on the vehicle roof?
- What means dBi?
- What is a VSWR diagram?
- and other problematic questions of the customer case.

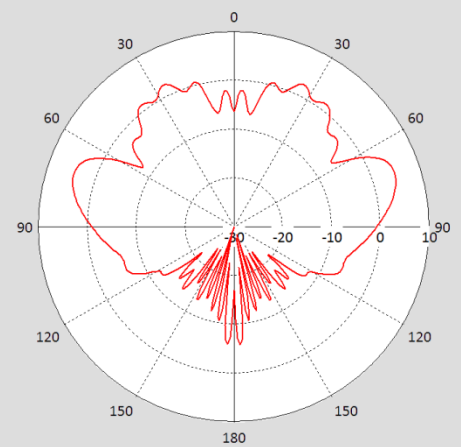




ANTENNEN | ANTENNAS

Using the 3D Microwave Field Simulation in accordance with CST Microwave Studio, Antonics-ICP provides the **RF Simulation** of the radiation characteristics in terms of vehicle bodies. The antenna simulation consist of following points:

- Mounting position of the antenna
- Radiation diagramm
- Return loss and VSWR diagram
- Optimization of decoupling of the antenna
- Spatial proximity of one antenna to another
- Gain, directivity, efficiency, band width
- and other problematic points of the customer case.



In the foreground are not the first line mass products or mass consulting services, but the **client specified products and consulting**, which are developed for a particular operator and case.

